



## Installation and User Instructions

# TRIAX UFO 170

Active digital antenna FM / DAB / DAB+ / BIII / UHF

Model

**TRIAX UFO 170**

Item no.

**109170**

Version

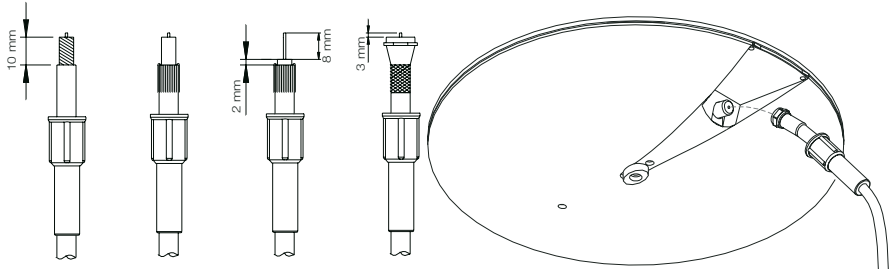
891022B

01 - 2020

DK, EN, DE, SE, FR

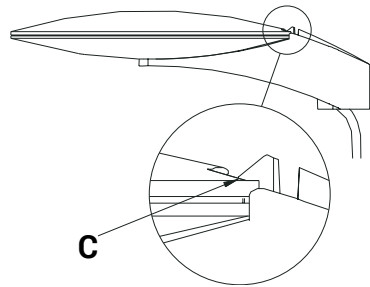
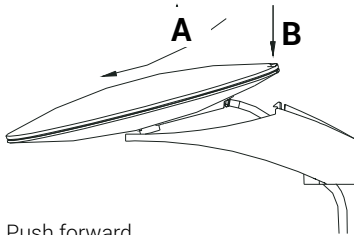


### Connection cable and assembly

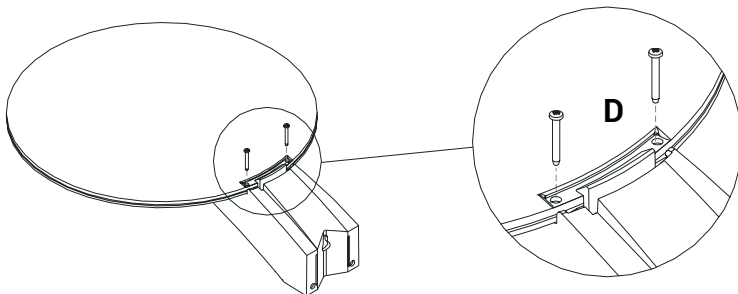


Use Class A or A+ high shielded coaxial cable only.

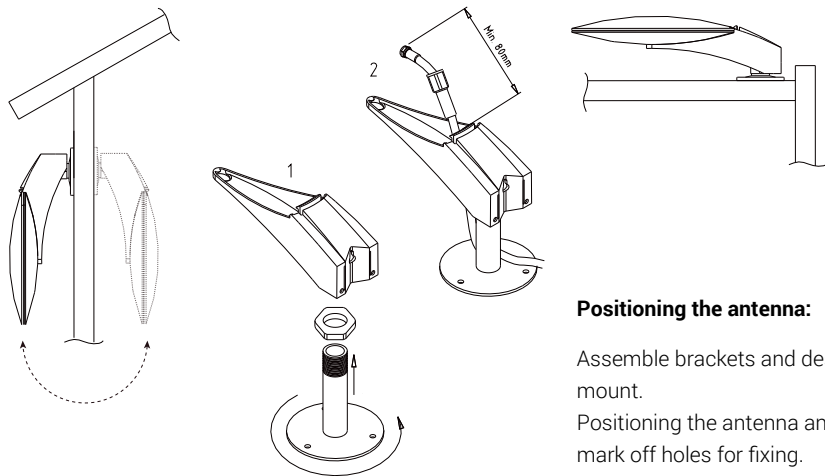
### Mount UFO on base



- A: Push forward
- B: Push down
- C: Ensure that the UFO shells are fully mated with the bracket
- D: Secure with enclosed screws



### Mounting options on vertical or horizontal surface

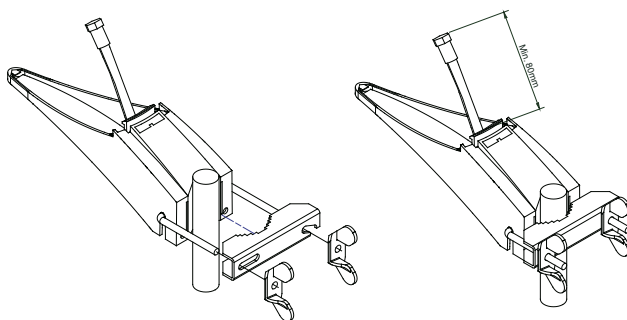


#### Positioning the antenna:

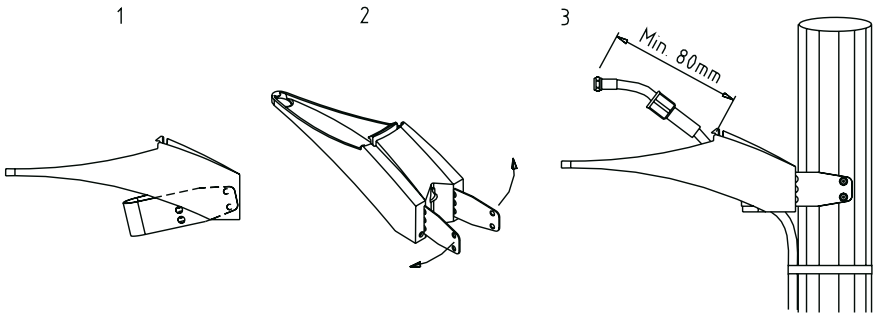
Assemble brackets and desk mount.

Positioning the antenna and mark off holes for fixing.

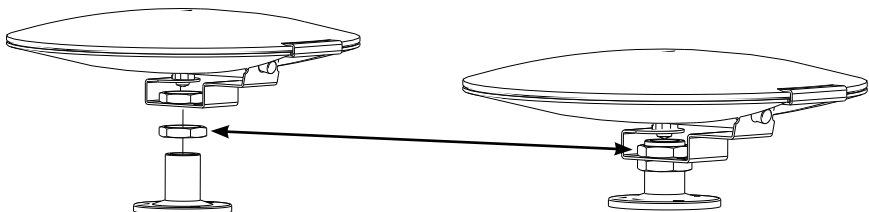
### Mounting on mast.



### Mounting with universal mount



### Mounting with centre mount (optional accessory for UFO 170)



#### Positioning the antenna:

Centre mounting bracket and deck-mount. Position the antenna and mark off holes for fixing.

Positioned antenna and counter nut fixed.

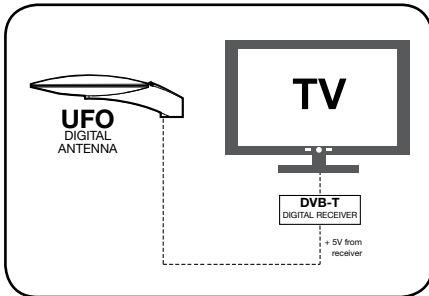


### Troubleshooting guide

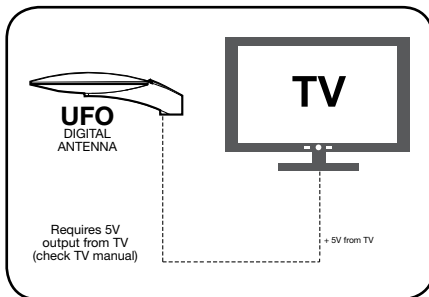
Problem	Possible root cause	Solution
<p>Weak or missing signal</p>	<p>Often this is caused by a short or a missing connection in the coax cable or the cable connectors.</p> <p>Check LED on PSU/power inserter (optional accessory IFP XXX)</p> <p>Check LED on UFO antenna</p>	<p>Remove the cable from the PSU/power inserter. If the LED lights up, there is a short in the cable. Repair or replace the cable.</p> <p>If the LED lights up on the PSU/power inserter but not on the UFO, there is possibly a missing connection in the cable or connectors.</p> <p>If the LED is still on, repair or replace cable and/or connectors.</p> <p>If the LED is still off, replace the PSU/power inserter.</p>
<p>Interference</p>	<p>Interference is often caused by electronic equipment – mobile phones, computers, tablets or transmitters being used in close proximity to the UFO.</p>	<p>Increase the distance to the interfering source of possible.</p> <p>Increase the height of the UFO in order to improve signal reception.</p>
<p>Pixelation and missing audio</p>	<p>Pixelation and missing audio is often caused by electronic equipment – mobile phones, computers, tablets or transmitters being used in close proximity to the UFO.</p>	<p>Increase the distance to the interfering source of possible.</p> <p>Increase the height of the UFO in order to improve signal reception.</p>
<p>Ghosting; double pictures (analog signal only)</p>	<p>Ghosting is caused by the TV signal being reflected from buildings, large ships etc.</p>	<p>Change position a few meters will often solve the problem.</p>

### Application examples

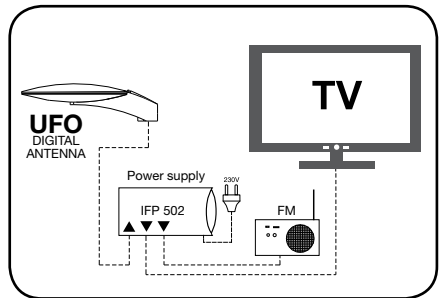
Example 1



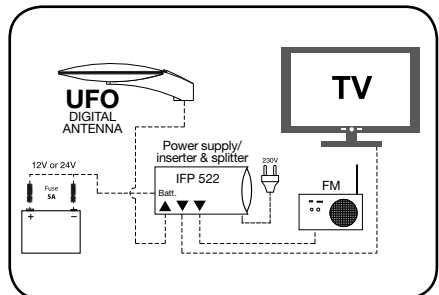
Example 2



Example 3



Example 4



## Technical data

Type		UFO 170 Digital	
<b>Art. No.</b>		<b>109170</b>	
Frequency range	FM	MHz	87.5-108
	DAB/VHF	MHz	174-300
	UHF	MHz	470-694
Channels		FM/DAB/DAB+/5-12/21-48	
Elements		stk.	1
Opening angle	ver./hor.	deg.	90/360
Windload		N	5.5
Gain	VHF/UHF	dB	28/27
Noise figur		dB	3.0
Max. output voltage	VHF/UHF	dB $\mu$ V	107/104
Supply voltage		V	5-24
Power consumption		mA	45
Dimensions	length	mm	325
	width	mm	255
	height	mm	65
Connector			F-conn
Included			Mast bracket $\varnothing$ 25-60 Plastic base Universal mount

## Accessories



**IFP 502 / IFP 124**  
Power supply  
Art. No. 339502 / 339124



**IFP 522 / IFP 224**  
Power supply/inserter  
339522 / 339224



**Centre mount**  
Art. No. 133225



For further information  
and updated manuals go to

[triaux.com/support](https://triaux.com/support)

